

tapflo®

ACTIVE PULSATION DAMPENERS

2020 | 1



» All about your flow™

www.tapflo.com

DT series

Active pulsation dampeners

The active pulsation dampener is the most efficient way to remove pressure variations on the discharge of the pump.

The Tapflo pulsation dampener works actively with compressed air and a diaphragm, automatically setting the correct pressure to minimise the pulsations.



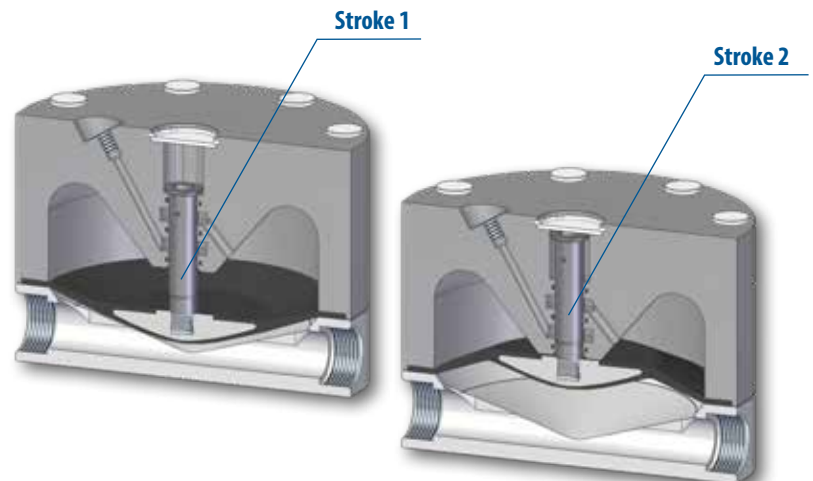
Explosion proof models are available

Certified according to directive 2014/34/EC (ATEX), group II, cat 2, for use in EX-zone 1.

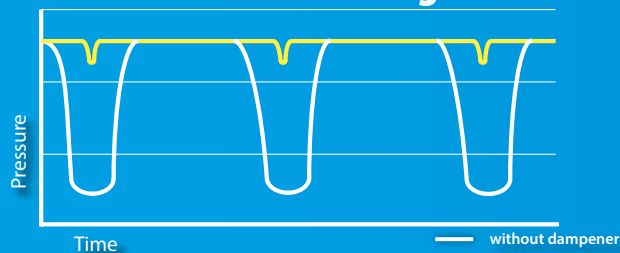
Contact us for information.

How it works

When the pressure in the piping system decreases, due to the pulsating nature of the pump operation, the pulsation dampener supplies extra pressure to the discharge between the pump strokes, therefore supplying a steady flow of pumped medium. This pumping action created by the dampener, decreases the pressure variations and pulsations.



■ Features when using the DT series pulsation dampener



The dampening effect

The pressure variation in a discharge line with and without a pulsation dampener.

- Minimized vibrations and water hammer effects
- Protection of all kinds of instruments in your pipe system
- Optimized pump performance and reduced maintenance costs

Options & accessories



■ Pulsation dampener with stand



■ Pulsation dampener with pump



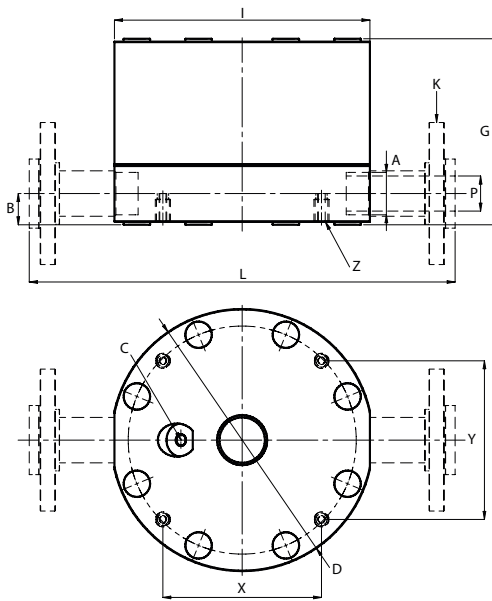
■ Pulsation dampener with guardian



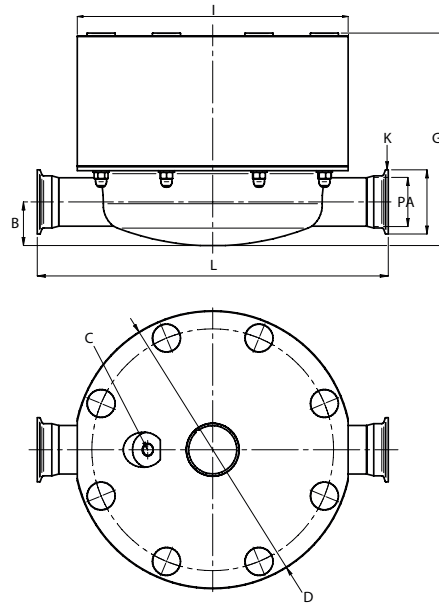
■ TK built-on dampener

DT series - Active pulsation dampeners - dimensions

PE, PTFE & aluminium dampeners



Stainless steel and sanitary dampener



Dimensions in mm (where other is not indicated) | Dimensions in inch (where other is not indicated)

Dimension	Dampener size																			
	9/20	25	30	50	70	80	100	120	125	200	220	225	400	420	425	800	820 A	820 S	825	
A	BSP	G 3/8"	G 1/2"	G 3/8"	G 1/2"	G 3/4"		G 1"		G 1 1/2"		G 2"		-		G 3"		-		
	DIN Flange	95	-	95	95	105	-	115	115	-	150	150	-	165	165	-	202	-	202	-
	ANSI Flange	-	-	50,5	-	-	50,5	-	-	50,5	-	-	64	-	-	91	-	-	-	-
	SMS3017/ISO2037	-	-	Rd 44x1/6"	-	-	Rd 52 x 1/6"	-	-	Rd 65 x 1/6"	-	-	Rd 78 x 1/6"	-	-	Rd 95 x 1/6"	-	-	-	Rd 110 x 1/4"
DIN 118513	-	-	-	-	-	-	-	-	-	-	-	-	-	-	-	-	-	-	-	
B	15/33 ¹ 0,59/1,3 ¹	15 0,59	10,6 0,42	17/32,4 ¹ 0,67/1,27 ¹	16,5 0,65	16,5 0,65	25,5/45 ¹ 1,7/1,77 ¹	25 0,98	16,5 0,65	33/50 ¹ 1,29/1,97 ¹	41 1,61	41 1,61	41/61 1,61/2,40 ¹	41 1,61	46 1,81	92 3,62	92 3,62	19,3 0,76	19,3 0,76	
C	G 1/4"		G 1/4"		G 1/4"		G 1/4"		G 1/4"		G 1/4"		G 1/4"		G 1/4"		G 1/4"		G 1/4"	
D	110 4,33		158 6,22		208 8,19		277 10,91		360 14,17		470 18,50		330 12,99		470 18,50		330 12,99		470 18,50	
G	85 / 103 ¹ 3,35 / 4,06 ¹	85 3,35	79 3,11	109/132 ¹ 4,29/5,20 ¹	117/109 ² 4,61/4,29 ²	116,5 4,59	148/161,5 ¹ 5,83/6,36 ¹	135/144,5 ² 5,31/5,69 ²	135 5,31	200/217,5 ¹ 7,87/8,56 ¹	213/200,5 ² 8,39/7,89 ²	209 8,23	244/261 ¹ 9,61/10,28 ¹	256/243,5 ² 10,08/9,59 ²	255 10,04	394 15,51	392 15,43	330 12,99	330 12,99	
I	107 4,21		155 6,10		203 7,99		270 10,63		352 13,86		470 18,50		330 12,99		470 18,50		330 12,99		470 18,50	
K	BSP	G 3/8"	G 1/2"	-	G 1/2"	G 3/4"	-	G 1"	G 1"	-	G 1 1/2"	G 1 1/2"	-	G 2"	G 2"	-	G 3"	-	-	
	DIN Flange ⁴	DN15	-	DN 15	DN15	DN 20	-	DN25	DN 25	-	DN40	DN 40	-	DN50	DN 50	-	DN80	-	DN80	
	ANSI Flange ⁴	1/2"	-	1/2"	1/2"	1/2"	-	1"	1"	-	1 1/2"	1 1/2"	-	2"	2"	-	3"	-	3"	
	SMS3017/ISO2037 ³	-	-	DN 25	-	-	DN 25	-	-	DN 38	-	-	DN 50	-	-	DN 70	-	-	-	
DIN 118513 ³	-	-	DN25	-	-	DN 25	-	-	DN 40	-	-	DN 50	-	-	DN 65	-	-	-	DN 80	
L	DIN & ANSI Flange	235 9,25	-	-	285 11,22	-	-	375 14,76	-	450 17,72	-	-	550 21,65	-	700 27,56	-	700 27,56	-	-	
	BSP	107 4,21	-	-	155 6,10	-	-	203 7,99	-	270 10,63	-	-	352 13,86	-	450 17,72	-	450 17,72	-	-	
	Other Connections ³	-	180 7,09	-	-	210 8,27	-	-	300 11,81	-	-	350 13,78	-	450 17,72	-	450 17,72	-	-	600 23,62	
P	DIN Flange ⁴	14 0,55	-	17,3 0,68	14 0,55	22,9 0,90	-	26 1,02	29,7 1,17	-	45,4 1,79	44,3 1,74	-	51,4 2,02	56,3 2,22	-	80 3,15	-	80 3,15	
	ANSI Flange ⁴	14 0,55	-	17,3 0,68	14 0,55	22,7 0,89	-	26 1,02	30,1 1,19	-	45,4 1,79	42,8 1,69	-	51,4 2,02	54,8 2,16	-	80 3,15	-	80 3,15	
	SMS3017/ISO2037 ³	-	-	22,6 0,89	-	-	22,6 0,89	-	-	35,6 1,40	-	-	49 1,93	-	-	66,8 2,63	-	-	-	
	DIN 118513 ³	-	-	20 0,79	-	-	26 1,02	-	-	38 1,50	-	-	50 1,97	-	-	66 2,60	-	-	-	81 3,19
X	36 1,42	-	-	90,3 3,56	-	-	113,8 4,48	-	-	167,6 6,60	-	-	226,3 8,91	-	-	297 11,69	-	-	-	
Y	86,8 3,42	-	-	100,3 3,95	-	-	135,6 5,34	-	-	167,6 6,60	-	-	226,3 8,91	-	-	297 11,69	-	-	-	
Z	M4x20	-	-	M4x20	-	-	M8x22 M8x30 PE	M8x25	-	M8x22 PTFE M8x22 PE	M8x25	-	M8x22 PTFE M8x30 PE	M8x25	-	M8x22 PTFE	M8x25	-	M8x22 PTFE	

1 = PE / PTFE
2 = SS / ALU

3 = SMS3017/ISO2037, DIN 11851, SMS1145, BS 4825 (RJT)
4 = Only plastic and metal pumps

5 = Only sanitary pumps
* = Dimensions for other connections in IOM Manual

Dampener code

The details, specification, size and materials of the major components.

DT - Tapflo active pulsation dampener

X = ATEX approved, group II, cat 2

50 = For Tapflo pump size (l/min)

P = Material of wetted dampener housing:

A = aluminium
P = polyethylene

S = stainless steel AISI 316L
T = PTFE

T = Material of diaphragm:

E = EPDM
B = PTFE 1705B (solvents)
W = White (food grade) EPDM
N = NBR (nitrile rubber)
T = PTFE
Z = PTFE with white back

DT

X

50

P

T

Sweden

Filaregatan 4 | S-442 34 Kungälv

Tel: +46 303 63390

Fax: +46 303 19916

E-mail addresses:

Commercial questions: sales@tapflo.com

Orders: order@tapflo.com

Tech support: support@tapflo.com

Tapflo products and services are available in 75 countries on 6 continents.

Tapflo is represented worldwide by own Tapflo Group Companies and carefully selected distributors assuring highest Tapflo service quality for our customers' convenience.

AUSTRALIA | AUSTRIA | AZERBAIJAN | BAHRAIN | BELARUS | BELGIUM | BOSNIA | BRAZIL | BULGARIA | CANADA | CHILE | CHINA | COLOMBIA | CROATIA | CZECH REPUBLIC | DENMARK | ECUADOR | EGYPT | ESTONIA | FINLAND | FRANCE | GREECE | GEORGIA | GERMANY | HONG-KONG | HUNGARY | ICELAND | INDIA | INDONESIA | IRELAND | ISRAEL | ITALY | JAPAN | JORDAN | KAZAKHSTAN | KUWAIT | LATVIA | LIBYA | LITHUANIA | MACEDONIA | MALAYSIA | MEXICO | MONTENEGRO | MOROCCO | NETHERLANDS | NEW ZEALAND | NORWAY | POLAND | PORTUGAL | PHILIPPINES | QATAR | ROMANIA | RUSSIA | SAUDI ARABIA | SERBIA | SINGAPORE | SLOVAKIA | SLOVENIA | SOUTH AFRICA | SOUTH KOREA | SPAIN | SWEDEN | SWITZERLAND | TAIWAN | THAILAND | TURKEY | UKRAINE | UNITED ARAB EMIRATES | UNITED KINGDOM | USA | UZBEKISTAN | VIETNAM

Tapflo Group Companies

Australia

Tapflo Oceania (Pty)
Tel: +61 1800 303 633
sales@tapflo.com.au

Austria

Tapflo Austria
Tel: +43 732 27292910
sales@tapflo.at

Baltic States

Tapflo Latvia
Tel: +371 67472205
sales@tapflo.lv

Belarus

Tapflo Belarus
Tel: +375 17 3934609
sales@tapflo.by

Belgium

Tapflo Benelux B.V.
Tel: +31 (0)85 00 743 00
info@tapflo.nl

Bulgaria

Tapflo EOOD
Tel: +359 (0)2 974 18 54
office@tapflo.bg

Canada

Tapflo Canada
Tel: +1 514 813 5754
canada@tapflo.com

Croatia

Tapflo GmbH
Tel: +385 91 4884 666
sales@tapflo.hr

Czech Republic

Tapflo s.r.o.
Tel: +420 513 033 924
tapflo@tapflo.cz

China

Tapflo (Wuxi)
Tel: +86 510 8241 7072
sales@tapflo.cn

Denmark

Tapflo Danmark
Tel: +45 36 454600
info@tapflo.dk

France

Tapflo France
Tel: +33 1 34 78 82 40
info@tapflo.fr

India

Tapflo Fluid Handling India Pvt Ltd
Tel: +91 20 65000215
ac@tapflo.in

Ireland

Tapflo Ireland Ltd
Tel: +353 1 2011911
info@tapflo.ie

Italy

Tapflo Italia
Tel: +39 0362307698
info@tapfloitalia.com

Japan

Tapflo Japan K.K.
Tel: +81-3-6240-3510
tapflojp@tapflo.co.jp

Kazakhstan

Tapflo Kazakhstan
Tel: +7 727 3278347
sales@tapflo.kz

Netherlands

Tapflo Benelux B.V.
Tel: +31 (0)85 00 743 00
info@tapflo.nl

Poland

Tapflo Sp. z o.o.
Tel: +48 58 530 42 12
info@tapflo.pl

Romania

S.C. Tapflo Rom. S.r.l.
Tel: +40 21 3451255
sales@tapflo.ro

Russia

Tapflo Company
Tel: +7 495 232 18 28
sales@tapflo.com.ru

Serbia

Tapflo d.o.o.
Tel: +381 21 44 58 08
sales@tapflo.rs

Slovakia

Tapflo s.r.o.
Tel: +421 911 137 883
tapflo@tapflo.sk

Slovenia

Tapflo GmbH
Tel: +386 68 613 474
sales@tapflo.hr

Spain

Tapflo Iberica
Tel: +34 91 8093182
avives@tapfloiberica.es

South Africa

Tapflo (Pty) Ltd
Tel: +27 31 701 5255
sales@tapflo.co.za

Turkey

Tapflo Makina Ltd
Tel: +90 216 467 33 11
sales@tapflo.com.tr

Ukraine

TOB Tapflo
Tel: +380 44 222 68 44
sales@tapflo.ua

Uzbekistan

Tapflo Uzbekistan
Tel: +998 712370940
sales@tapflo.uz

United Kingdom

Tapflo (UK) Ltd
Tel: +44 2380 252325
sales@tapflo pumps.co.uk